



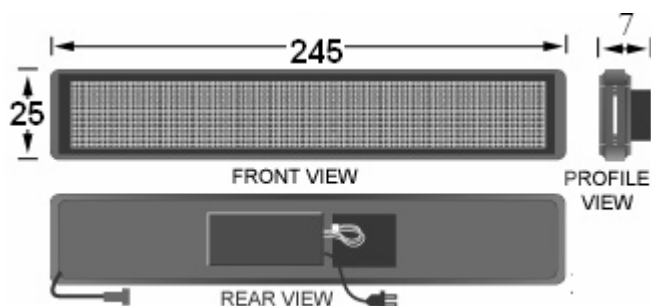
Moving LED Display Panel

Solar Power System :

In many case, the Moving LED Display Message is required to display normal message and interrupt message. GS Control software provide the function to set the normal display messages and interrupt solar system information. You can customize the information content and data source in GS Control or GS Logger.

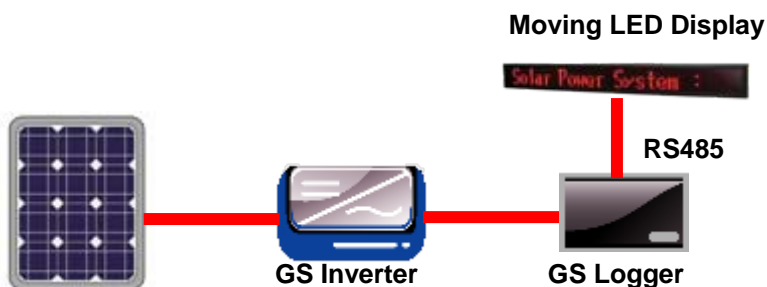
Features:

- Display moving message of solar system production and status
- Customize normal display message in GS Control
- Customize interrupt display message and data in GS Control



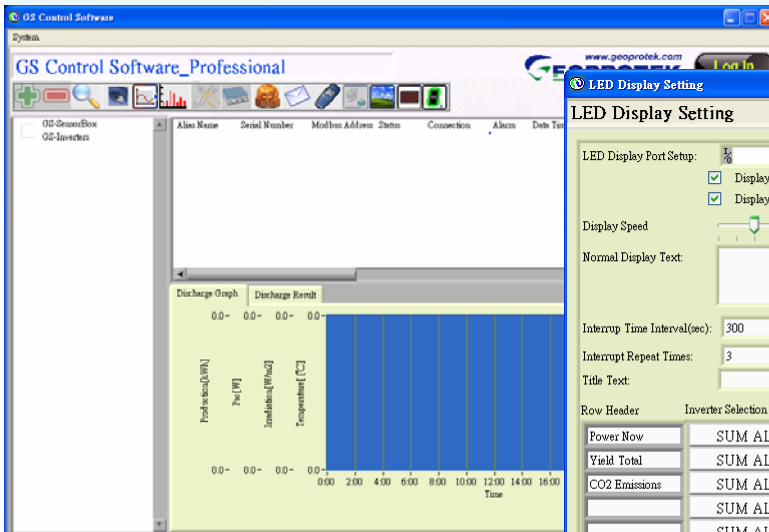
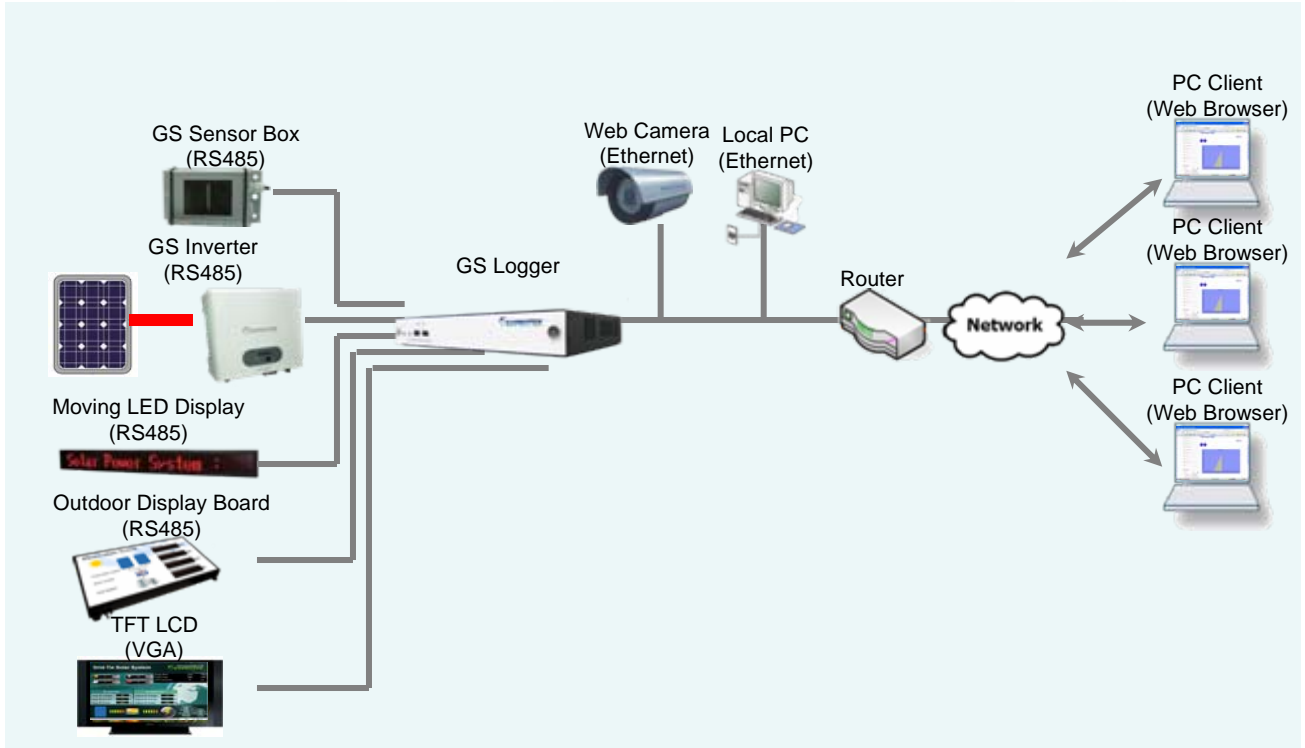
Specifications:

Communication	RS485
Lighting Source	LED
LED Diameter	5mm
LED Distance	12.5mm
Color	Red
Dot Number	16DOTX192DOT
Resolution	3072 DOT
Character Size	20CMX20CM
Display Area	20CMX240CM
Bound Size	25CMX245CMX07CM
English Characters	24





System Diagram:



The **LED Display Setting** dialog box contains the following configuration options:

- LED Display Port Setup:** %
- Display Date
- Display Time
- Display Speed:** [Slider]
- Normal Display Text:** [Text Field]
- Interrupt Time Interval(sec):** 300
- Interrupt Repeat Times:** 3
- Title Text:** [Text Field]

Row Header	Inverter Selection	Data Selection	Precision	Row Unit
Power Now	SUM ALL	Pac [W]	0	kWac
Yield Total	SUM ALL	E-Total [KW-Hr]	0	kWh
CO2 Emissions	SUM ALL	CO2 Emission	0	kg
	SUM ALL	Alias Name	0	
	SUM ALL	Alias Name	0	
	SUM ALL	Alias Name	0	
	SUM ALL	Alias Name	0	
	SUM ALL	Alias Name	0	

Buttons: